



Valliscó

WELCOME

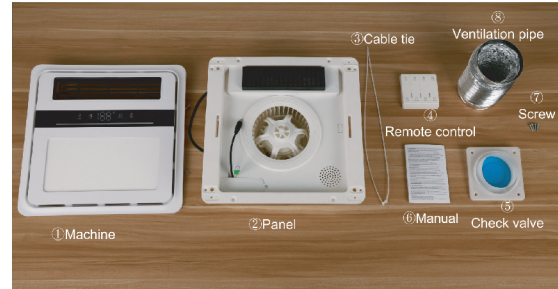
Thank you for using the products produced by our company. In order for you to install and use this product correctly, please read this manual carefully and keep it properly for future reference.

IMPORTANT TIPS

1. Ensure the power is turned off before cleaning.
2. This product is not intended for outdoor use.
3. Keep away from flammable materials.
4. Do not disassemble or wash with water to avoid damage.
5. If you need to clean the fan, remove the entire machine and use a dry brush or blower to clean the fan.

BEFORE INSTALLATION

1. Check if the package is complete and ensure all parts are included.
2. Check if the fan size fits your duct opening.
3. Check if the fan is working properly while plugged in.



Parts

Name	①Machine	②Panel	③Cable tie	④Remote control	⑤Check valve	⑥Manual	⑦Screw	⑧Ventilation pipe
Amount	1	1	2	1	1	1	4	1

⑤**Check valve:**If your home does not have a pre-installed exhaust duct and is close to the wall, you may drill a hole according to the size of our air valve.

Notice:Below parameters are just for reference.Detailed should subject to the ones on product nameplate.

Series No.	Machine Size	Panel Size	V/Hz	Air Velocity	Noise
HKJC-pfs-1	13" x 13"	13.78" x 13.78"	110V,60Hz	190 CFM	≤35dB
Rated Power	Heating Power	Ventilation Power	Blowing Power	Lighting Power	Diameter Of Ventilation Duct
1800W	1700W	25W	40W	12W	4"


INSTALLATION

- Note:
1. Please read the instructions carefully before installation.
 2. Installation and wiring shall be completed by professional electricians.
 3. Be sure to cut off the power supply before installation to prevent electric shock.

STEP 1

Connect the panel ② to the machine ①. (Before testing the machine, it is necessary to connect the panel for functional testing)



Pairing Code: After the machine is powered on, press and hold the “” button on the remote control ④ for more than 2 seconds to enter the pairing mode. Keep the button pressed, then power on the main unit. When you hear a "beep" sound, the pairing is successful. Then, use the buttons to test all functions of the main unit.

STEP 2

Perform a power-on and code-matching function test. After confirming that the test is successful, disconnect the panel from the main unit. (After testing, the panel needs to be removed so that the box can be placed on top)



Power-on



Testing

STEP 3

Use tools to secure the ventilation pipe⑧ to the air outlet with Cable tie③ and fasten it in place.



Tip: Due to the specially designed air outlet for increased wind speed, please ensure to follow the steps to connect the ventilation duct provided inside, and then connect it to the pre-installed ventilation duct in the house to avoid any incompatibility issues.

STEP 4

Use tools to cut a 11.42*11.42 inches opening on the top.



STEP 5

Use a power socket to connect the power supply.

Tip: If there is no power socket in your home and you need to connect the power cable directly, please have a professional handle the installation. Cut off the plug and connect the wires as follows:

Black wire: Live wire (L)

White wire: Neutral wire (N)

Green wire: Ground wire (G).



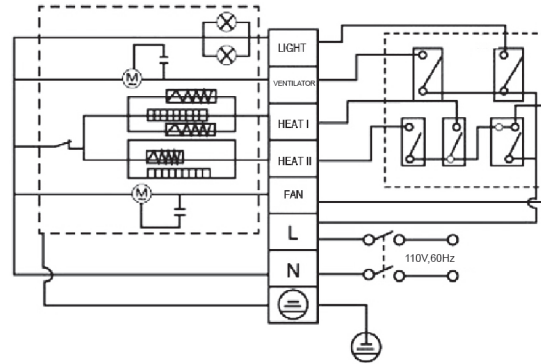
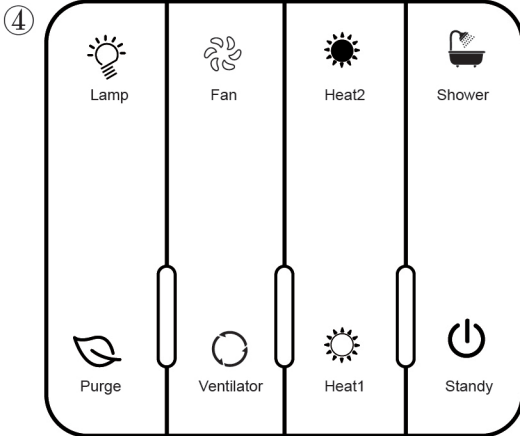
STEP 6

Tilt the machine ① and place it into the upper opening, then connect it to the ventilation pipe on the ceiling. Use tools to secure the machine and the panel in place with screws ⑦. (The panel needs to be fixed in the box before installation, otherwise it cannot be installed)



REMOTE CONTROL

The remote control can be fixed to the wall with adhesive or nails.



Electrical wiring diagrams

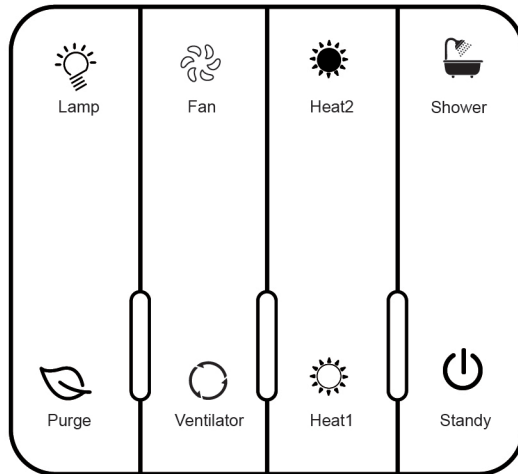


Standby: Turn off all functions except lighting. If the warm air runs for 30 seconds, the fan will turn off intelligently.



Lamp: Turn lighting on or off.

REMOTE CONTROL



Fan: air supply mode, such as with swing leaf open at the same time.

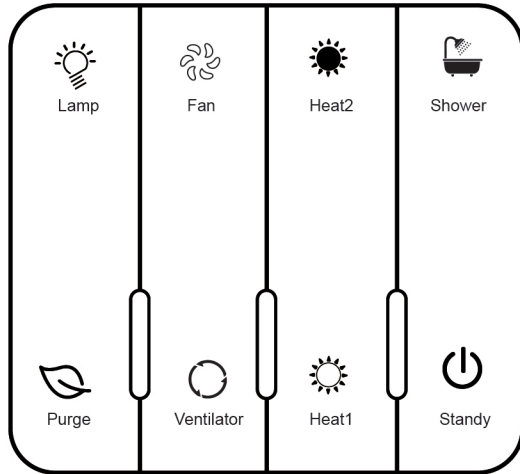


Heat1/Heat2 : Turn on the warm air function, and the blowing function starts automatically. Turn off the warm air function and turn it off intelligently after blowing for 30 seconds.



Shower: Turn on the warm air + lighting function, and the blower function will start automatically. Turn off the bath function, turn off the air intelligently after 30 seconds, and the lighting is not turned off.

REMOTE CONTROL



Purge: Start the purification function, 10 minutes of air, 10 minutes of air change, 10 minutes of stop, for 24 hours, purification can be opened under the non-heating function, under the purification function, press any key to exit.



Ventilator: indoor and outdoor air exchange, when the heating function is running (not operable)

WARRANTY

Our warranty plan assures that the products we sell are free from manufacturing defect. for one year from the date of purchase, We will address any issues according to the specified warranty terms. Applicable to items bought from us or authorized dealers, the warranty covers defects, malfunctions, or unusable products, effective from the purchase date and valid for one year. We will replace or refund defective products during this period, excluding misuse, abuse, or normal wear and tear damages. This warranty is non-transferable.

Return Process



Damaged? Wrong item?
Missing Parts?



Get your order information ready, photos will be very helpful.



Contact us.



Our service team will take care of your inquiries accordingly.



At last, we shall provide a suitable solution to you.

COMMON PROBLEM

Issue	Possible Cause	Solution
Controller not responding	Connection disconnected	Check power supply and re-pair the code
Fan not spinning	Circuit not connected	Check power supply and ensure wiring is correct
Excessive noise	Air duct blocked	Clean the air duct and check if the exhaust port is clear
Heating function not working Heating function not	Overheat protection triggered	Power off for 10 minutes, then restart
Cannot operate except for lighting function not working	Operation locked in purification mode, only lighting can be controlled	Press the power-off button and wait for shutdown, then it can be used normally
Fan continues to spin after turning off heating	Cooling protection, fan spins for 20-30 seconds after shutdown	Normal protection

Valliscó

STEP 7

Correctly connect the panel to the main unit to ensure the machine can operate safely.



STEP 8

To install the panel:

Compress the Spring Clips: Press the spring clips on both sides of the panel.

Insert the Panel: Push the panel into the machine until the clips pop out, securing it in place.

Check Orientation: Ensure the ventilation grille on the panel is aligned with the air outlet (black part) on the host for proper airflow.

